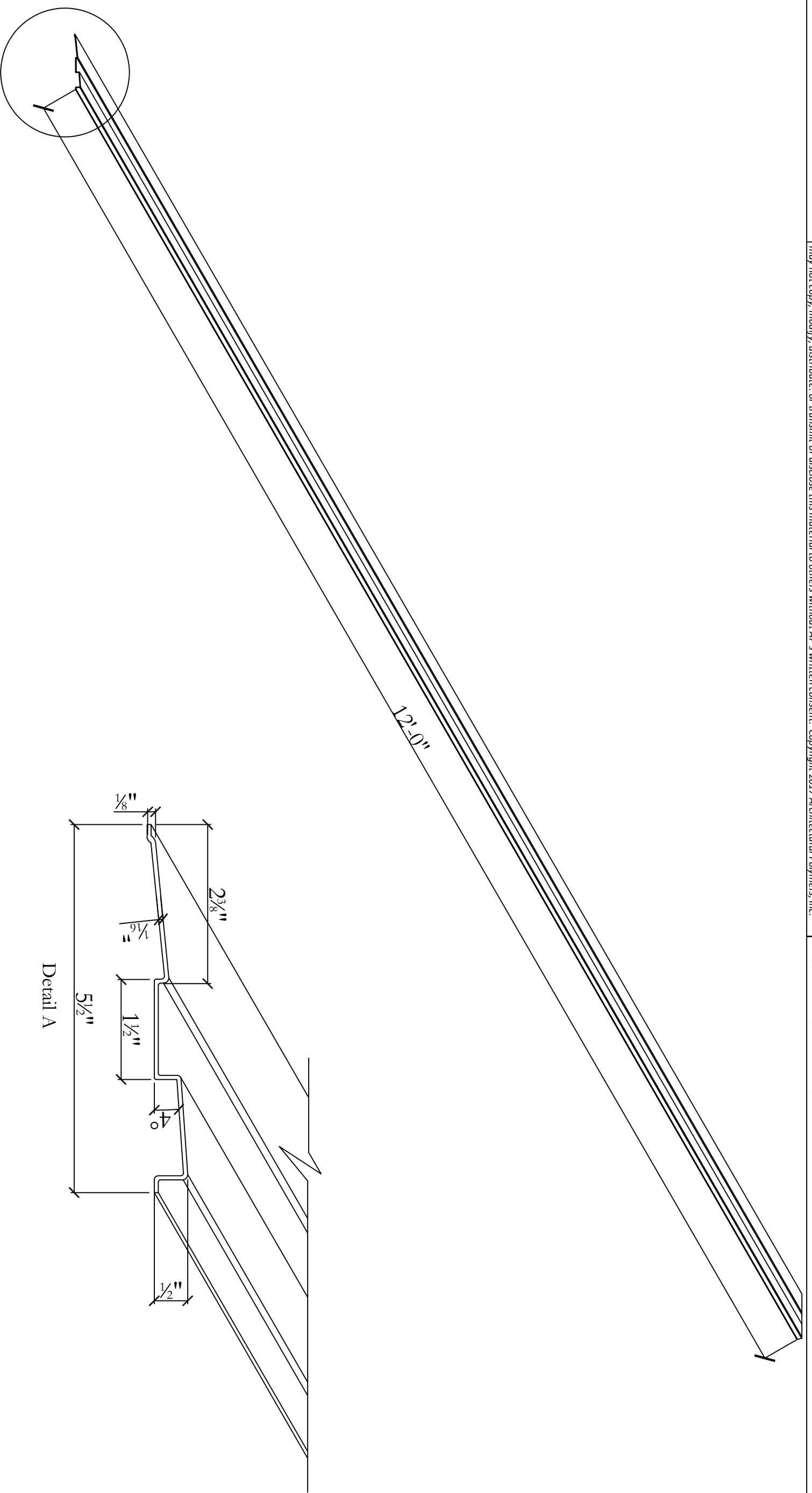


Formliner may require backing provided by customer

This material is the confidential and proprietary property of Architectural Polymers, Inc. ("AP") that you are only permitted to use under license in connection with your business dealings with AP. Unless you and AP agree otherwise in writing, AP grants you a limited license to use these documents/plans, but you may not copy, modify, distribute, or transmit or disclose this material to others without AP's written consent. Copyright 2017 Architectural Polymers, Inc.

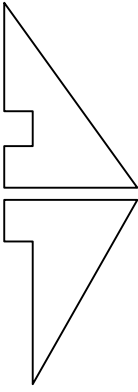
Approval Signature Required _____



See Enlarged
Detail A

Plastic formliners MUST be stored at a temperature range of 55° to 85° Fahrenheit. Failure to do so will result in permanent distortion to these plastic formliners and will warrant them both unusable and destroyed. Therefore, AP Thermoforming will NOT assume any liability for damaged formliners caused from improper storage

ITEM # 309521


AP THERMOFORMING, LLC

1035 Little Gap Highway
 Palmerton PA, 18071
 610-826-4579
 Fax: 610-826-4614

Customer: _____

Job Name: _____

Title: _____

504/518 Backing

Drawn By: _____ Date: _____

Approved By: _____ Date: _____

Scale: None Tolerance: ±3/16

Page: 1 Drawing Number: _____