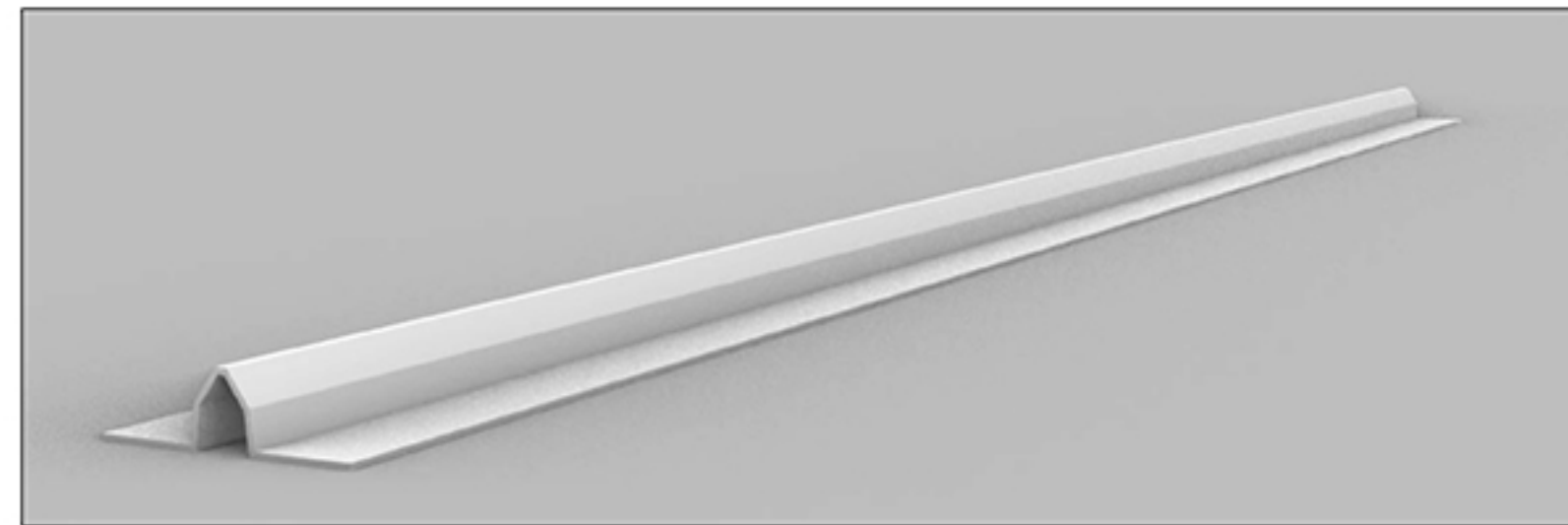
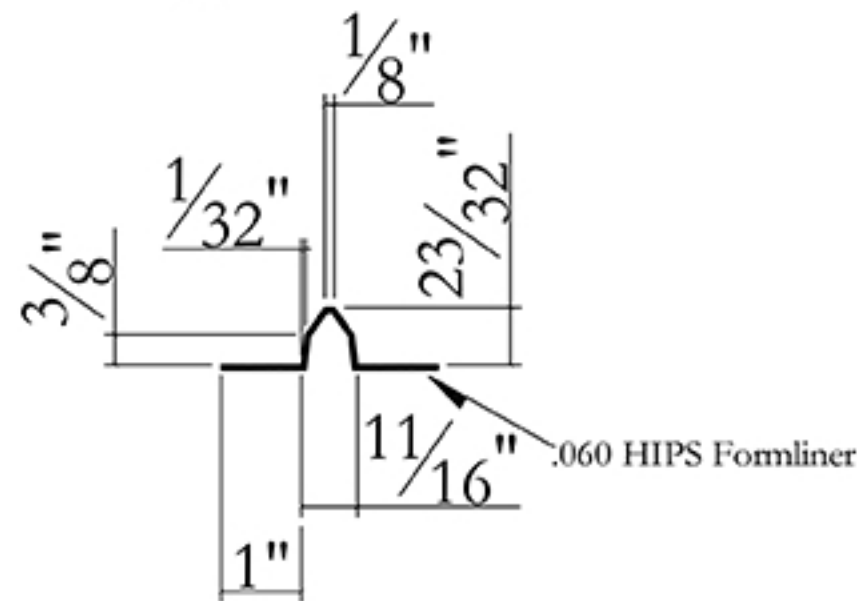


Typical Section



***For Visual Reference Only - Not to Scale**

Plastic form liners MUST be stored at a temperature range of 55° to 85° Fahrenheit. Failure to do so will result in permanent distortion to these plastic form liners and will warrant them both unusable and destroyed. Therefore, AP Thermoforming will NOT assume any liability for damaged form liners caused from improper storage

ITEM # 309984



1035 Little Gap Highway
 Palmerton PA, 18071
 610-826-4579
 Fax: 610-826-4614

Customer: _____
 Job Name: _____
 Title: 11/16" False Reveal Accessory 23/32" DOR

Drawn By:	Date:
Scale: None	Tolerance: ±3/16
Page: 1	Drawing Number: