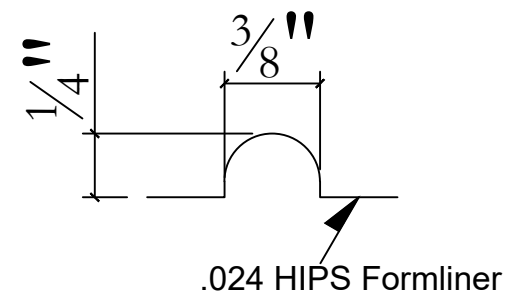


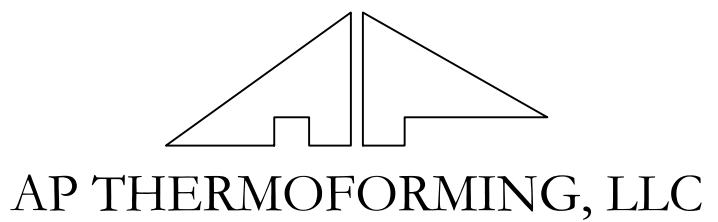
Typical Cove Joint Profile



.024 HIPS Formliner

Plastic formliners MUST be stored at a temperature range of 55° to 85° Fahrenheit. Failure to do so will result in permanent distortion to these plastic formliners and will warrant them both unusable and destroyed. Therefore, AP Thermoforming will NOT assume any liability for damaged formliners caused from improper storage

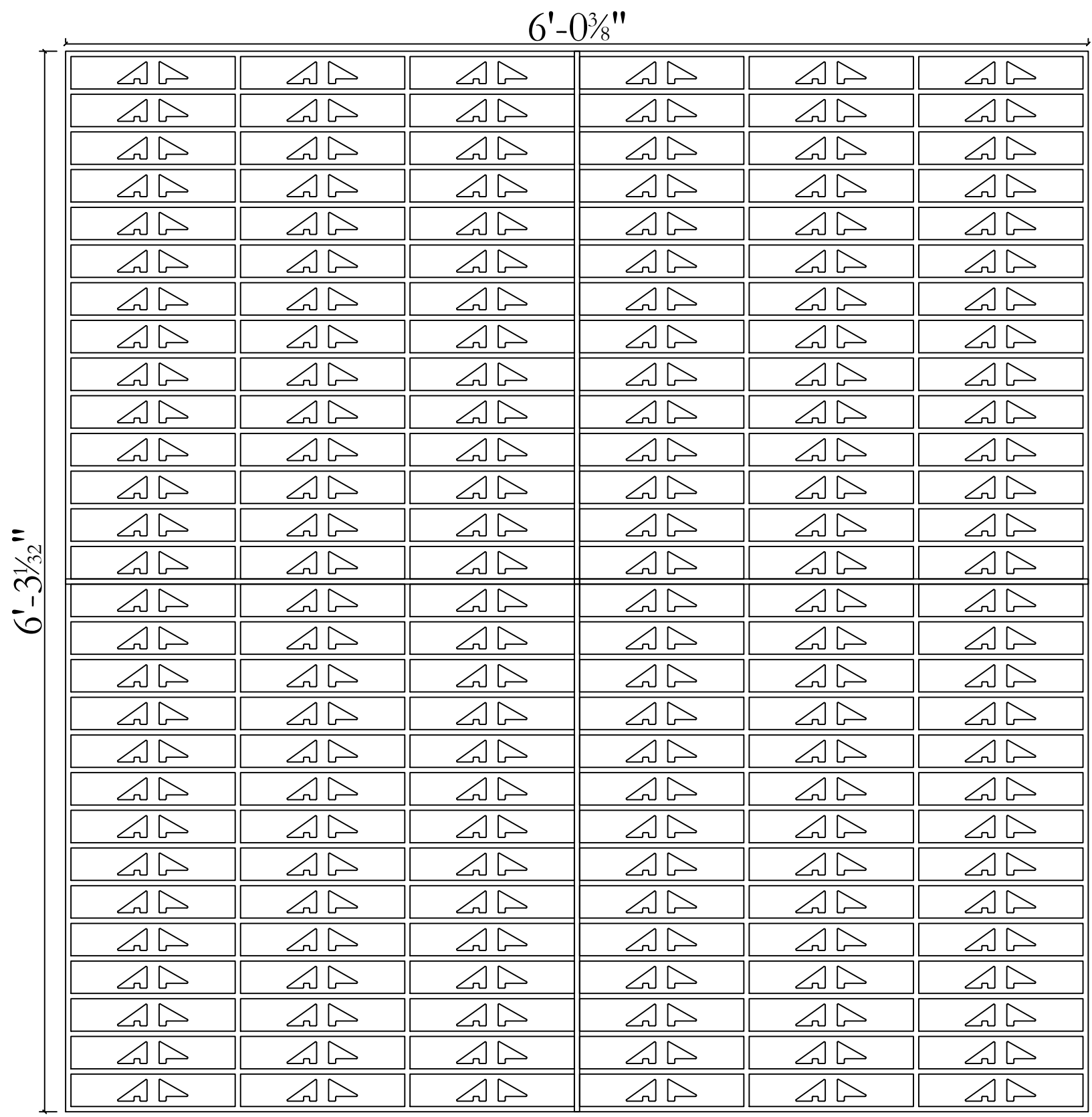
ITEM # 305798



1035 Little Gap Highway
 Palmerton PA, 18071
 610-826-4579
 Fax: 610-826-4614

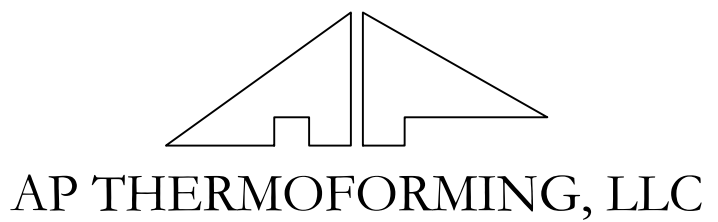
Customer: _____
 Job Name: _____
 Title: 606-S Norman Stacked Bond

Drawn By:	Date:
Approved By:	Date:
Scale: None	Tolerance: ±1/16
Page: 1	Drawing Number:



Plastic formliners MUST be stored at a temperature range of 55° to 85° Fahrenheit. Failure to do so will result in permanent distortion to these plastic formliners and will warrant them both unusable and destroyed. Therefore, AP Thermoforming will NOT assume any liability for damaged formliners caused from improper storage

ITEM # 305798



1035 Little Gap Highway
 Palmerton PA, 18071
 610-826-4579
 Fax: 610-826-4614

Customer: _____
 Job Name: _____
 Title: 606-S Norman Stacked Bond Assembled

Drawn By:	Date:
Approved By:	Date:
Scale: None	Tolerance: ±1/16
Page: 2	Drawing Number: