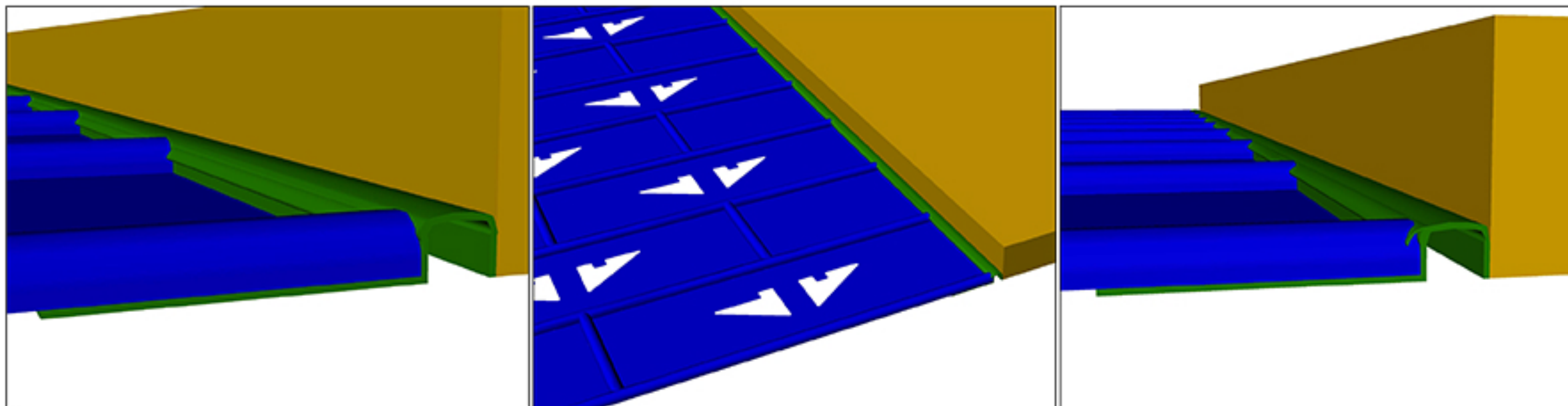
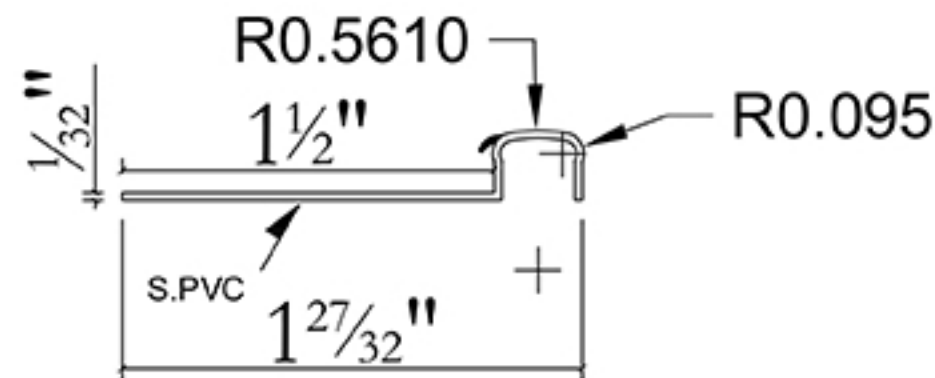


8'-0"

1 27/32"



Plastic formliners MUST be stored at a temperature range of 55° to 85° Fahrenheit. Failure to do so will result in permanent distortion to these plastic formliners and will warrant them both unusable and destroyed. Therefore, AP Thermoforming will NOT assume any liability for damaged formliners caused from improper storage

ITEM # 310150



AP THERMOFORMING, LLC

1035 Little Gap Highway
 Palmerton PA, 18071
 610-826-4579
 Fax: 610-826-4614

Customer:

Job Name:

Title:

#605-SER Universal End Round

Drawn By:

Approved By:

Scale:

Page:

None

1

Date:

Date:

Tolerance:

Drawing Number:

±1/16