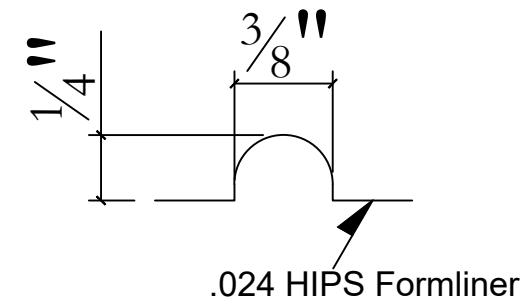


Typical Cove Joint Profile



.024 HIPS Formliner

Plastic formliners MUST be stored at a temperature range of 55° to 85° Fahrenheit. Failure to do so will result in permanent distortion to these plastic formliners and will warrant them both unusable and destroyed. Therefore, AP Thermoforming will NOT assume any liability for damaged formliners caused from improper storage

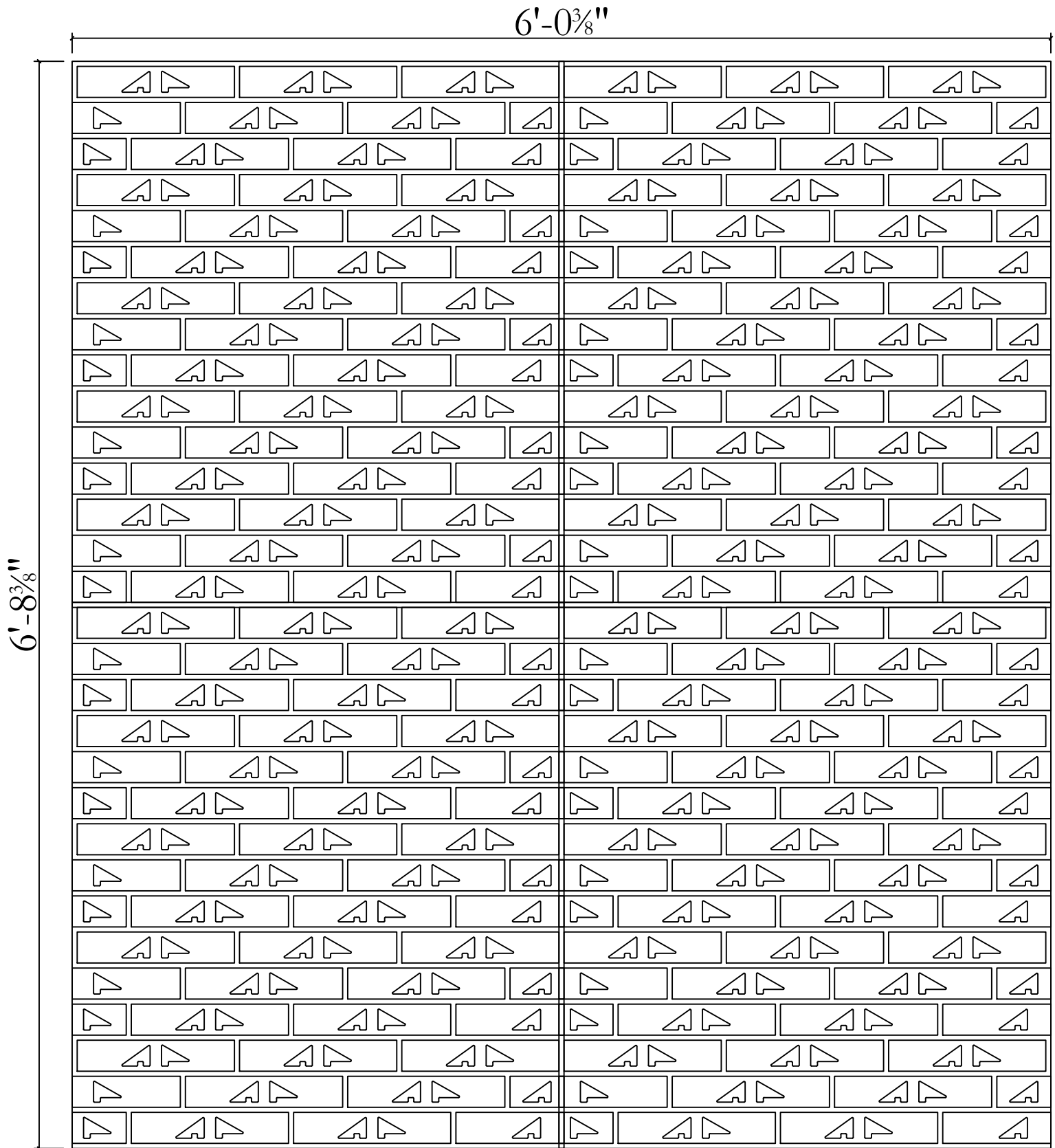
ITEM # 306505



1035 Little Gap Highway  
 Palmerton PA, 18071  
 610-826-4579  
 Fax: 610-826-4614

Customer:  
 Job Name:  
 Title: #601-S Norman 1/3rd Stepped Bond

Drawn By:	Date:
Approved By:	Date:
Scale: None	Tolerance: ±1/16
Page: 1	Drawing Number:



Plastic formliners MUST be stored at a temperature range of 55° to 85° Fahrenheit. Failure to do so will result in permanent distortion to these plastic formliners and will warrant them both unusable and destroyed. Therefore, AP Thermoforming will NOT assume any liability for damaged formliners caused from improper storage

ITEM # 306505



1035 Little Gap Highway  
 Palmerton PA, 18071  
 610-826-4579  
 Fax: 610-826-4614

Customer:  
 Job Name:  
 Title: #601-S Norman 1/3rd Stepped Bond Assembled

Drawn By:	Date:
Approved By:	Date:
Scale: None	Tolerance: ±1/16
Page: 2	Drawing Number: