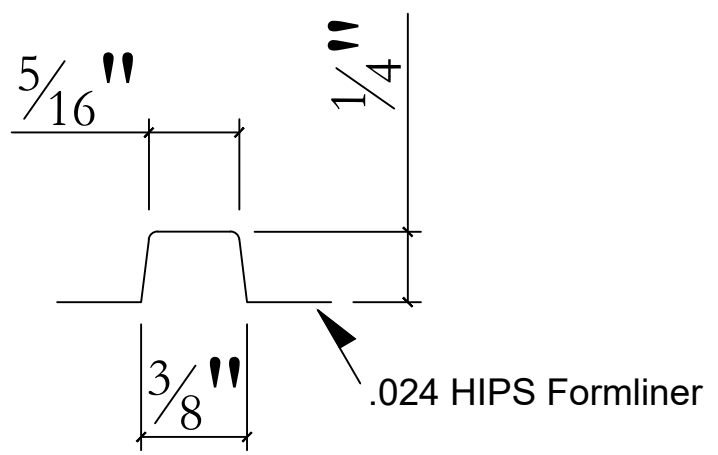


Typical Joint Profile



Plastic formliners MUST be stored at a temperature range of 55° to 85° Fahrenheit. Failure to do so will result in permanent distortion to these plastic formliners and will warrant them both unusable and destroyed. Therefore, AP Thermoforming will NOT assume any liability for damaged formliners caused from improper storage

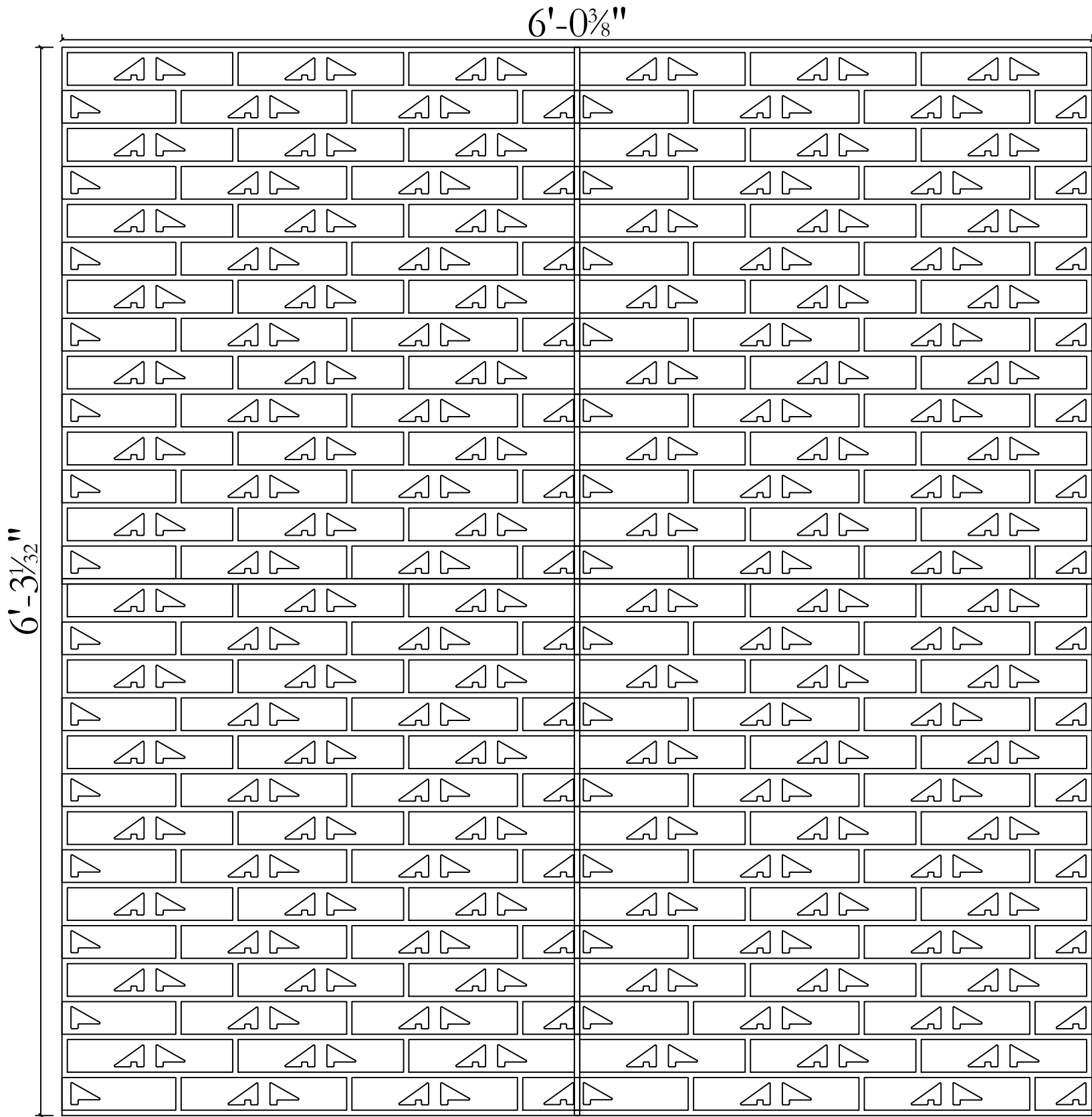
ITEM # 309996



1035 Little Gap Highway  
 Palmerton PA, 18071  
 610-826-4579  
 Fax: 610-826-4614

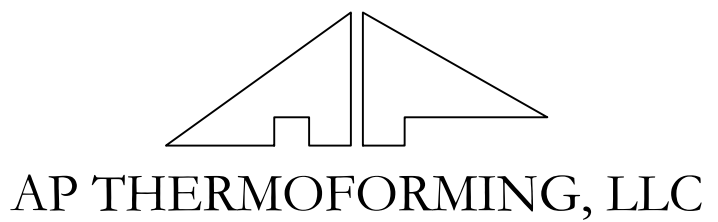
Customer:  
 Job Name:  
 Title: 601-S Norman 1/3rd Running Bond Raked Joint

Drawn By:	Date:
Scale: None	Tolerance: ±1/16
Page: 1	Drawing Number:



Plastic formliners MUST be stored at a temperature range of 55° to 85° Fahrenheit. Failure to do so will result in permanent distortion to these plastic formliners and will warrant them both unusable and destroyed. Therefore, AP Thermoforming will NOT assume any liability for damaged formliners caused from improper storage

ITEM # 309996



1035 Little Gap Highway  
 Palmerton PA, 18071  
 610-826-4579  
 Fax: 610-826-4614

Customer:  
 Job Name:  
 Title:  
 601-S Norman 1/3rd Running Bond Raked Joint Assembled

Drawn By:	Date:
Scale: None	Tolerance: ±1/16
Page: 2	Drawing Number: